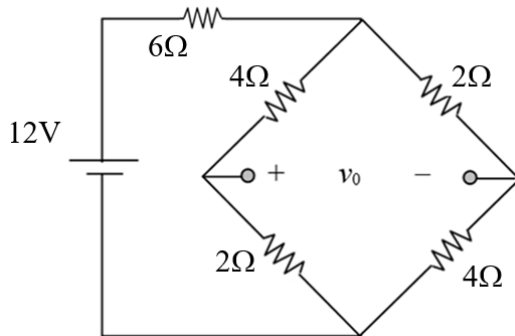


**NCTU-ECE Introduction to Electric Circuit (A)**  
**Practice Problems (2023/10/11)**

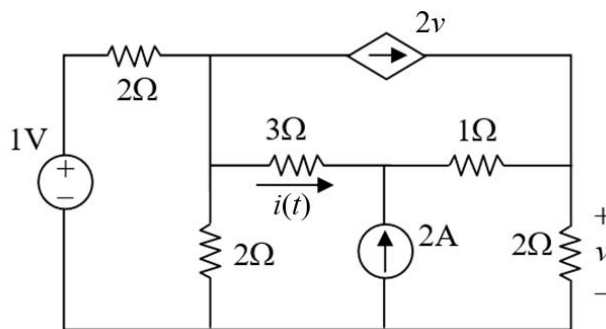
15%

1. Determine the voltage  $v_0$ .



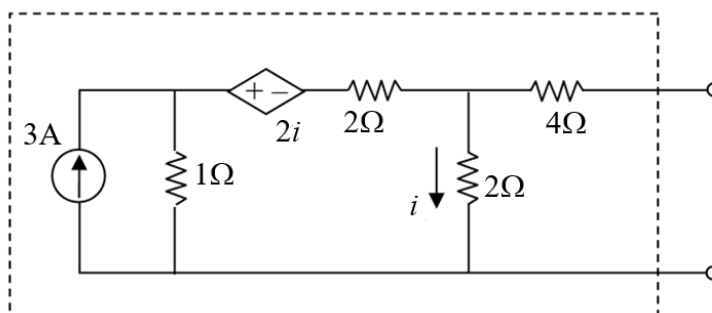
25%

2. Based on node voltage analysis, determine  $i(t)$ .



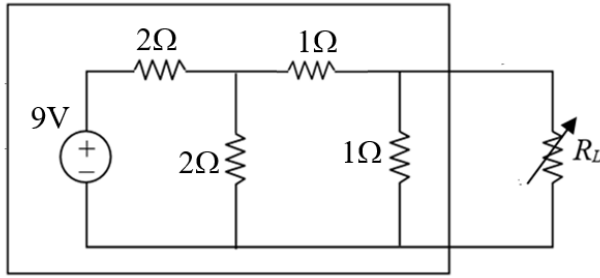
25%

3. Determine the Thevenin equivalent circuit.



20%

4. Determine the maximum transferred power to adjustable  $R_L$ .



15%

5. Determine  $v(t)$ .

